

**INSTRUCTION SHEET
FOR
MODEL HK-S10**

**SAFETY MESSAGE TO INSTALLERS
OF
FEDERAL SIGNAL LIGHT SYSTEMS**

People's lives depend on your safe installation of our products. It is important to read, understand and follow all instructions shipped with the products. In addition, listed below are some other important safety instructions and precautions you should follow:

- To properly install a light assembly: you must have a good understanding of automotive electrical procedures and systems, along with proficiency in the installation and use of safety warning equipment.
- When drilling into a vehicle structure, be sure that both sides of the surface are clear of anything that could be damaged.
- You should frequently inspect the light system to ensure that it is operating properly and that it is securely attached to the vehicle.
- Refer to the instruction sheets packed with related products for additional precautions and information.
- File these instructions in a safe place and refer to them when maintaining and/or reinstalling the product.

Failure to follow all safety precautions and instructions may result in property damage, serious injury, or death to you or others.

A. GENERAL.

This instruction sheet provides additional directions for installation of a separately purchased mounting system for the Federal AeroDync® Series, JetSonic® Series, JetStream™ Series, JetStrobe™ Series light assemblies, or Vector™ light assemblies and the Vision® warning system on Chevrolet S10 type vehicles.

NOTE

Installation of the Model HK-S10 requires the use of parts from the mounting system kit.

B. UNPACKING.

After unpacking the kit, carefully check all envelopes, shipping labels, and tags before removing or destroying them. Ensure that the parts shown in the KIT CONTENTS are contained in the packing carton.

C. KIT CONTENTS

Qty.	Description	Part Number
2	Hook	8552437
6	Screw, #10 Thd. Frm	7011A119-08

D. INSTALLATION

NOTE

Before proceeding, read and understand all instructions packed with the mounting system kit.

1. Place the light assembly on the roof to determine desired mounting location. (Refer to the instructions packed with mounting kit.)

NOTE

The mounting hooks (if any) included with the mounting kit will not be used for this installation.

2. Determine where the hook will attach to the vehicle.
3. Ensure that the adjustment bolt holes in the hook and the mounting bracket are properly aligned. Use the hook as a template to mark three drill position marks.

CAUTION

To avoid damage when drilling, ensure that both sides of mounting surface are clear of any parts or wires.

Also, when drilling holes, ensure that holes are drilled only through sheet metal and NOT through upholstery.

4. Drill three (3) .147" diameter holes (#26 drill bit) at the drill position marks.
5. See figure 1. Secure the hook using three #10 thread-forming sheet metal screws. Assemble the hook on the mounting bracket using the appropriate 5/16-18 hex head bolt (finger-tight only).
6. Repeat steps 2, 3, 4, and 5 with the other hook.
7. Tighten the adjustment bolts just enough to ensure that the light bar is securely anchored to the hooks. Excessive tightening will distort and damage the vehicle roof.

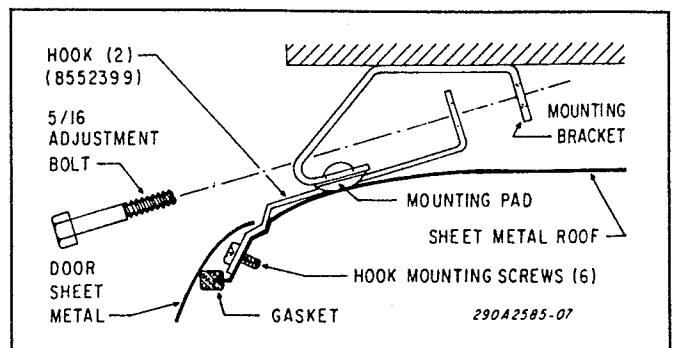


Figure 1.