

**INSTRUCTION SHEET
FOR
MODEL HK*GM
GUTTERLESS MOUNTING SYSTEM (GM)
USED WITH MODELS 24*, J* AND JL***

A. GENERAL.

This instruction sheet provides directions for proper installation of the gutterless mounting system for the Model 24*, J* and JL* light bars on GM vehicles.

Before proceeding with the installation of this kit, ensure that the parts in the KIT CONTENTS LIST are included.

KIT CONTENTS LIST

Quantity	Description	Part Number
2	Hook	8542C474A
6	Screw, #10 Thd. Frm.	7011A119-08

B. INSTALLATION

1. Place light bar on roof to determine desired mounting location. (Refer to instruction sheet with mounting kit.)

2. Use the special hook as a template to mark the three hole locations as shown in figure 1.

CAUTION

Before drilling holes in ANY part of a vehicle, be sure that no electrical wiring will be damaged. Ensure that the drill will not damage the upholstery.

3. Drill three (3) .147" diameter holes (#26 drill bit) at the marked locations.

4. Secure the hook using the three sheet metal screws provided (#10 thread forming) as shown in figure 2.

5. Repeat the above instructions for other side of vehicle.

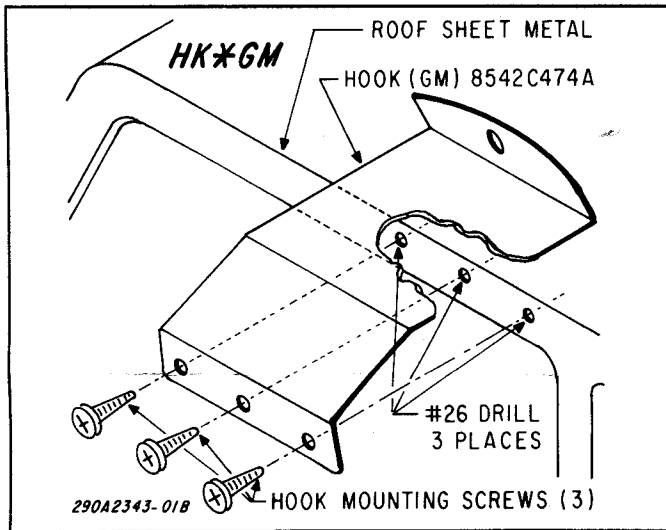


Figure 1.

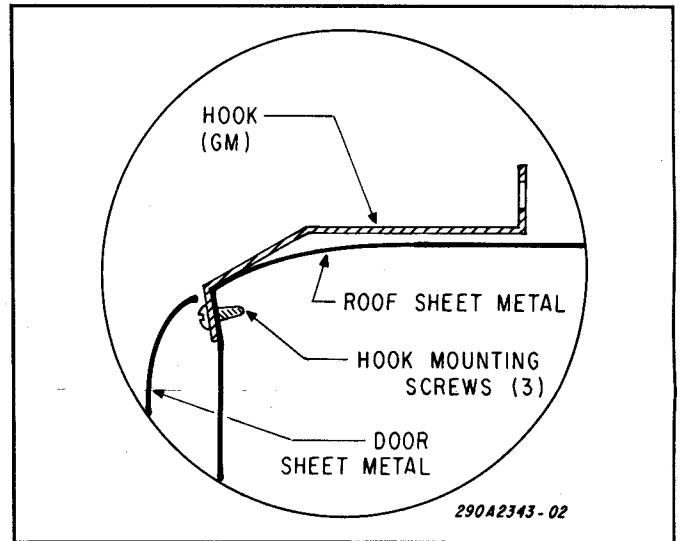


Figure 2.