

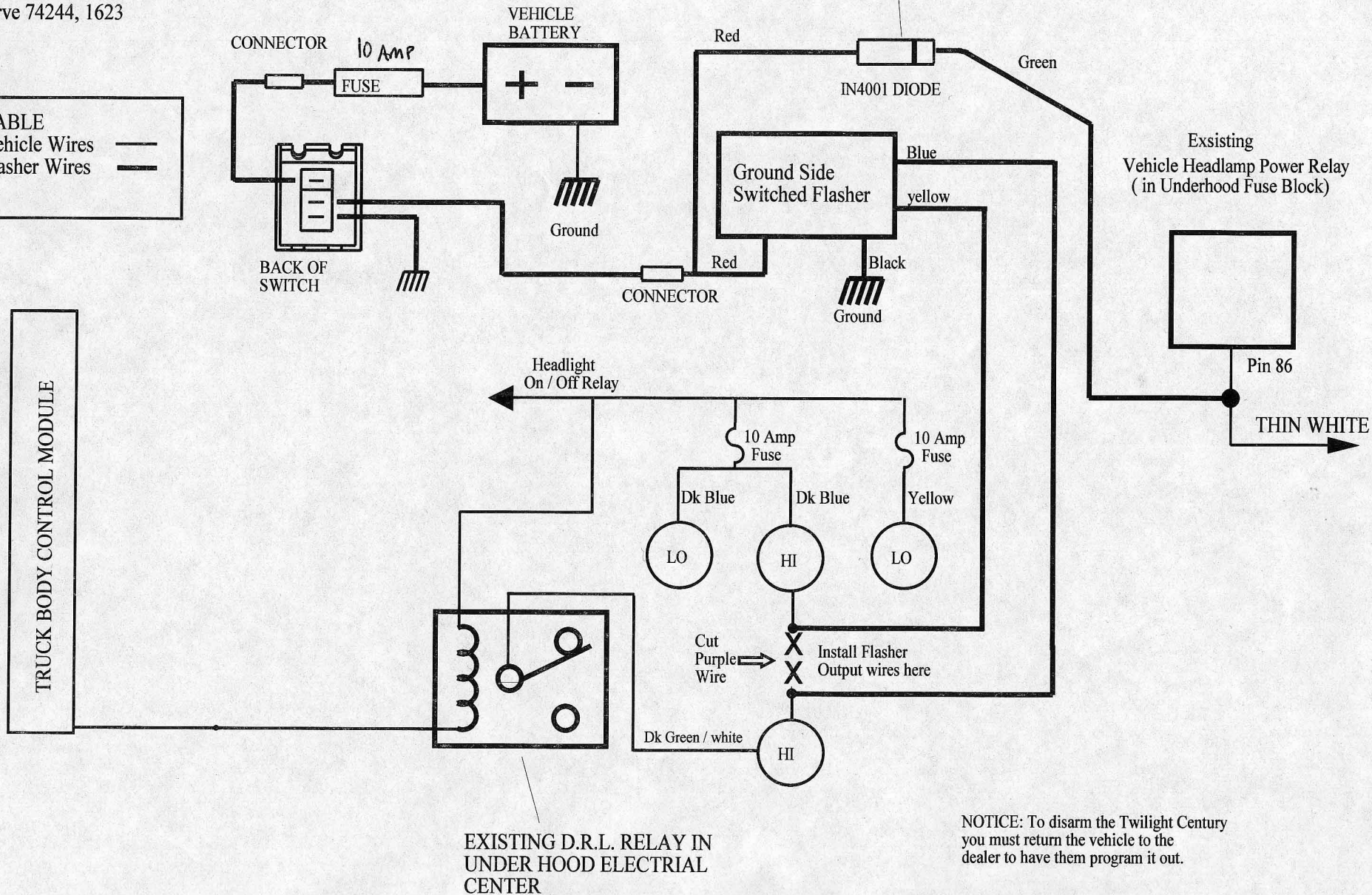


1998 Or Newer S-10, JIMMY, BLAZERS, SONOMA.

INSTALLING DIODE:
 Find the three White Wires coming from the Vehicles Headlamp Power Relay (located in Underhood Fuse Block).
 Find the thin White Wire that has 12 volts in it when the High Beam Headlight is on and no power when the High Beam Headlight is off.
 Install Diode as shown.

800-338-7337 * 616-669-8497
 Fax# 616-669-3475
 Compuserve 74244, 1623

TABLE	
Vehicle Wires	—
Flasher Wires	—



NOTICE: To disarm the Twilight Century you must return the vehicle to the dealer to have them program it out.