



1340 Russell Cave Road • Lexington, Kentucky 40505 • www.galls.com • 1-800-477-7766

WIG WAG HEADLIGHT FLASHING SYSTEM

FS039

FOR AUTHORIZED EMERGENCY USE ONLY
Law Enforcement Marked or Unmarked Vehicles ONLY

INSTALLATION WARNING

Installation of this Flasher must not be attempted on Foreign vehicles or vehicles with ground side switched headlights.

TECHNICAL SUPPORT: Call 1-800-837-3982 8AM - 5PM EST

MOUNTING: Mount Switch/Flasher Module in desired location.

WIRE CONNECTIONS:

Route the 4 conductor cable through the fire wall to the front of the vehicle.

Using a voltmeter (test lamp) to determine high beam wire:

- Turn headlamps ON in high beam position.
- Measure which wire has voltage (+12.8v).
- If more than 1 wire has voltage, the vehicle has ground side switched headlamps and this Flasher will NOT work.

Cut the vehicle's high beam wire at the "X"s.

WHITE WIRE: Connect to the driver's side high beam.

GREEN WIRE: Connect to the passenger's side high beam.

YELLOW & BROWN WIRES: Connect as shown in diagrams.

RED FUSED WIRE: Connect the fused red wire to the vehicle's battery positive (+) post making sure the switch is in the OFF (no light) position.

FLASHER OPERATION:

ON Position: The high beams will alternately Flash (Wig-Wag) and normal high beam operation is interrupted.

OFF Position: Normal high beam operation is restored.

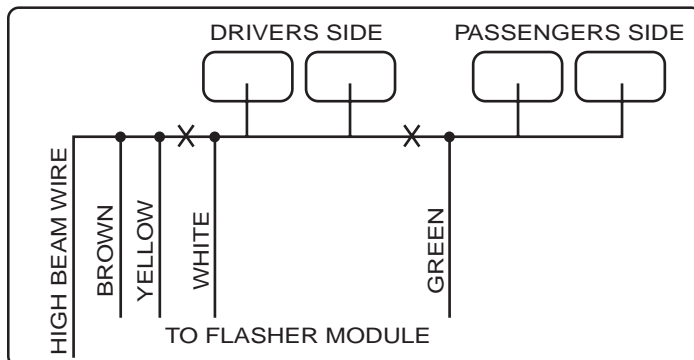


Figure 1.

Single High Beam Wire w/ Wire Harness on Driver's Side

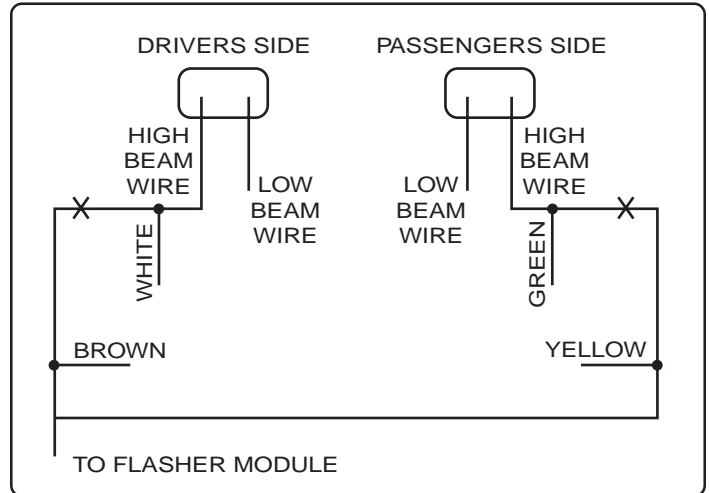


Figure 2.

Single Headlight w/ Both High and Low Beam

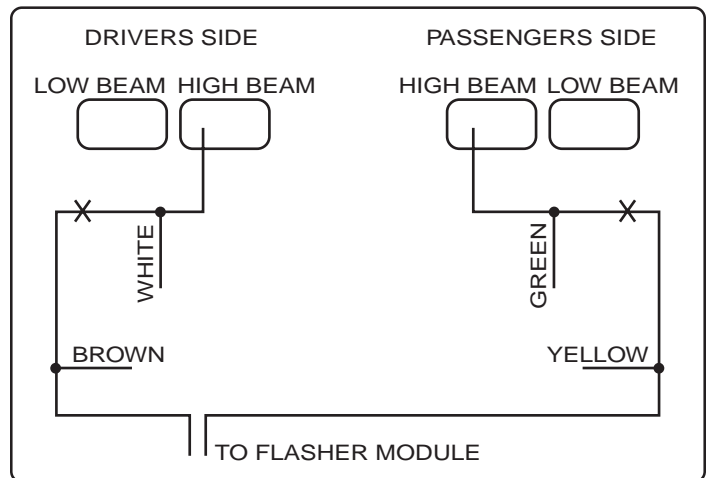


Figure 3.

Single High Beam and Single Low Beam on Both Sides of the Vehicle



No Hassle Guarantee

Providing quality products to professionals who protect and serve the public is our core purpose. If you aren't satisfied with a newly purchased item, simply return it to us so we can repair it, replace it or refund your money.



GALLS TWO YEAR WARRANTY

Galls offers a two year warranty... a guarantee that assures you long-lasting service on your vehicle light equipment. This offers you peace of mind.

Covered under U.S. Patents #4114071, #4309639 & #4859988.
FS039 6/03